

# 4MP Lighthunter WDR IR Network Dome Camera

IPC3634SE-ADZK-I0



## Key Features



- High quality image with 4MP, 1/1.8" CMOS sensor
- 2688\*1520@30fps in the main stream
- Ultra 265, H.265, H.264, MJPEG
- LightHunter technology ensures ultra-high image quality in low illumination environment
- Up to 120 dB Optical WDR (Wide Dynamic Range)
- DC12V or PoE (IEEE 802.3af) power supply
- Wide voltage range of  $\pm 25\%$  in DC
- Audio 1 in and 1 out, Alarm 2 in and 1 out
- Micro SD, up to 256GB

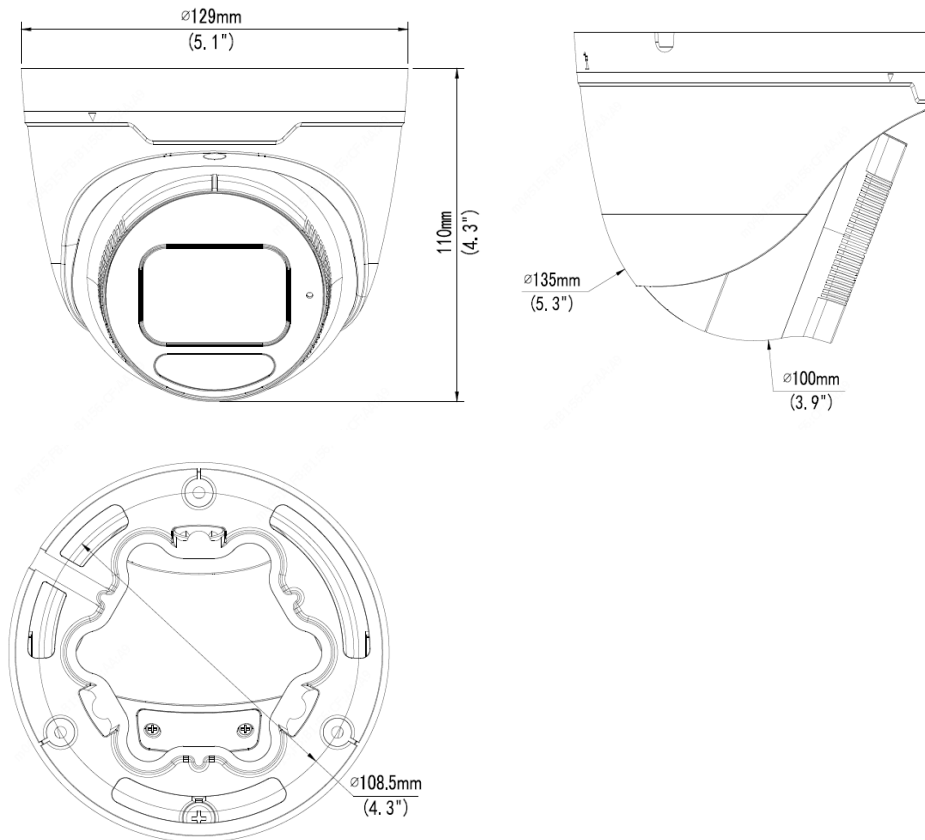
## Specifications

IPC3634SE-ADZK-I0					
<b>Camera</b>					
Sensor	1/1.8", 4.0 megapixel, progressive scan, CMOS				
Min. Illumination	Colour:0.0005 lux (F1.2, AGC ON) 0 lux with IR				
Day/Night	IR-cut filter with auto switch (ICR)				
Shutter	Auto/Manual, 1 ~ 1/100000s				
Angle Adjustment	Pan: 0° to 360°, tilt: 0° to 75°, rotate: 0° to 360°				
WDR	120dB				
S/N	>56dB				
<b>Lens</b>					
Lens type	2.8~12mm@F1.2, AF automatic focusing and motorized zoom lens				
Iris	Fixed				
Angle of View (H)	42.6°~113.7°				
Angle of View (V)	24.1°~59.0°				
Angle of View (O)	4.12°~74.38°				
<b>DORI</b>					
DORI Distance	Lens (mm)	Detect (m)	Observe (m)	Recognize (m)	Identify (m)
	2.8	68.0(223.0ft)	27.2(89.2ft)	13.6(44.6ft)	6.8(22.3ft)
	12	166.2(545.2ft)	66.5(218.1ft)	33.2(109.0ft)	16.6(54.5ft)
<b>Illuminator</b>					
IR Range	Up to 40m (131 ft) IR range				
Wavelength	850nm				
IR On/Off Control	Auto/Manual				
<b>Video</b>					
Video Compression	Ultra 265, H.265, H.264, MJPEG				
Frame Rate	Main Stream: 4MP (2688*1520), Max 30fps; Sub Stream: 1080P (1920*1080), Max 30fps; Third Stream: D1 (720*576), Max 30fps;				
Video Bit Rate	128 Kbps~16 Mbps				
ROI	Up to 8 areas				
Video stream	Triple streams				
OSD	Up to 8 OSDs				
Privacy Mask	Up to 4 areas per scene				
<b>Image</b>					
White Balance	Auto/Outdoor/Fine Tune/Sodium Lamp/Locked/Auto2				
Digital noise reduction	2D/3D DNR				
Smart IR	Support				
Flip	Normal/Flip Vertical/Flip Horizontal/180°/90°Clockwise/90°Anti-clockwise				
HLC	Support				
BLC	Support				
Defog	Digital Defog				
<b>Events</b>					
Basic Detection	Motion detection, Audio detection, Tampering alarm				

General Function	Watermark, IP Address Filtering, Alarm input, Alarm output, Access Policy, ARP Protection, RTSP Authentication, User Authentication
<b>Audio</b>	
Audio Compression	G.711U, G.711A
Audio Bitrate	64 Kbps
Two-way Audio	Support
Suppression	Support
Sampling Rate	8KHz
<b>Storage</b>	
Edge Storage	Micro SD, up to 256 GB
Network Storage	ANR,NAS(NFS)
<b>Network</b>	
Protocols	IPv4, IGMP, ICMP, ARP, TCP, UDP, DHCP, PPPoE, RTP, RTSP, RTCP, DNS, DDNS, NTP, FTP, UPnP, HTTP, HTTPS, SMTP, 802.1x, SNMP, QoS, RTMP, SSL/TLS
Compatible Integration	ONVIF (Profile S, Profile G, Profile T), API, SDK
User/Host	Up to 32 users. 2 user levels: administrator and common user
Security	Password protection, strong password, HTTPS encryption, basic and digest authentication for RTSP, digest authentication for HTTP, TLS 1.2, WSSE and digest authentication for ONVIF
Client	EZStation EZLive EZView
Web Browser	Plug-in required live view: IE9+, Chrome 41 and below, Firefox 52 and below
<b>Interface</b>	
Audio I/O	1/1
Alarm I/O	2/1
Serial Port	N/A
Built-in Mic	Support
Built-in Speaker	N/A
Built-in Heater	N/A
Video output	1 BNC
Network	1 * RJ45 10M/100M Base-TX Ethernet
<b>Certification</b>	
EMC	FCC CFR 47 Part 15 EN 55032:2015 EN 55024:2010 EN 61000-3-2:2014 EN 61000-3-3-2013
Safety	IEC 62368-1 EN 62368-1 UL 60950-1
Environment	CE-ROHS (2011/65/EU;(EU)2015/863); WEEE (2012/19/EU); REACH (Regulation (EC) No 1907/2006)
<b>General</b>	
Power	DC12V(±25%), PoE(IEEE 802.3af)
	Power consumption: Max 10W
Dimensions (Ø x H)	Φ129mm x 110mm (Φ5.1" x 4.3")
Weight	0.8Kg(1.76lb)
Working Environment	-30°C ~ 60°C (-22°F ~ 140°F), Humidity: ≤95% RH (non-condensing)
Storage Environment	-40°C ~ 70°C (-40°F ~ 158°F), Humidity: ≤95% RH (non-condensing)

Surge protection	6KV
Reset button	Support
Protection	Ingression protection: IP67 Vandal resistant: IK10

## Dimensions



## Accessories

TR-JB03-H-IN



TR-JB07/WM03-F-IN



TR-WM03-B-IN



TR-SE24-IN



TR-SE24-A-IN



TR-CM24-IN

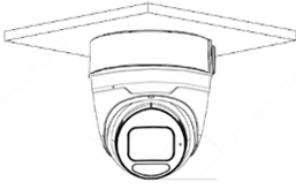
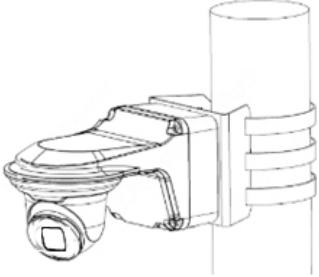
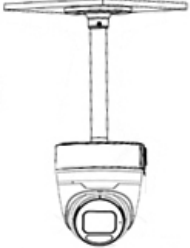


TR-A01-IN



TR-UP06-IN



Junction Mount	Pole Mount
TR-JB03-H-IN + TR-A01-IN(optional)	TR-JB07/WM03-F-IN/TR-WM03-B-IN +TR-UP06-IN
	
Indoor Pendant Mount	/
TR-SE24-IN/TR-SE24-A-IN + TR-CM24-IN + TR-JB03-H-IN	/
	/

**Zhejiang Uniview Technologies Co., Ltd.**

Building No.10, Wanlun Science Park, Jiangling Road 88, Binjiang District, Hangzhou, Zhejiang, China (310051)

 Email: [overseasbusiness@uniview.com](mailto:overseasbusiness@uniview.com); [globalsupport@uniview.com](mailto:globalsupport@uniview.com)
<http://www.uniview.com>

©2021 Zhejiang Uniview Technologies Co., Ltd. All rights reserved.

\*Product specifications and availability are subject to change without notice.